

## LED Solar Streetlights



88Light Street Light Solar Series state of the art design with low light decay, high color rendering index LED chip source light and high quality low weight aluminum alloy housing fill in a high brightness and long lifespan street light. Its innovative modular design and adjustable angle makes a perfect solution for multiple street lighting applications with minimum relamping cost.

### Applications:



**Multiple line roads**



**Street walkpads**



**Collection Roads**



**Motorway**



**Rural Street**

## PRODUCT FEATURES

- State of the art design. Adopt the modern aesthetic streamline design, compact in structure and nice in appearance.
- High quality, high color rendering index SMD LED light source.
- Lightweight Aluminum alloy housing. Reliable aluminum alloy corrugated-fin composition, increasing the cooling area at utmost, reducing the light weight a lot. Modular lamp design which allows increasing or decreasing the illumination needs.
- Low temperatures. Long lifespan.
- IP65 waterproof for outdoor application.
- It's with Monocrystalline silicon solar panels on the back and Lithium battery inside, save more energy.
- No mercury and lead. No UV. No infrared. No radiation. Without causing any flickering, helpful to protect the eyes.
- Motion sensor: 100% power if people comes, 30% power if without people moving.



Waterproof



Light Weight



Easy to install



Hg



Longlife



Saving Energy



FCC



CE



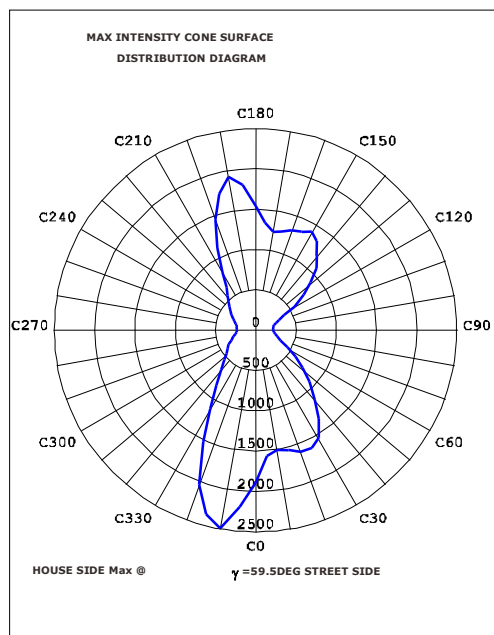
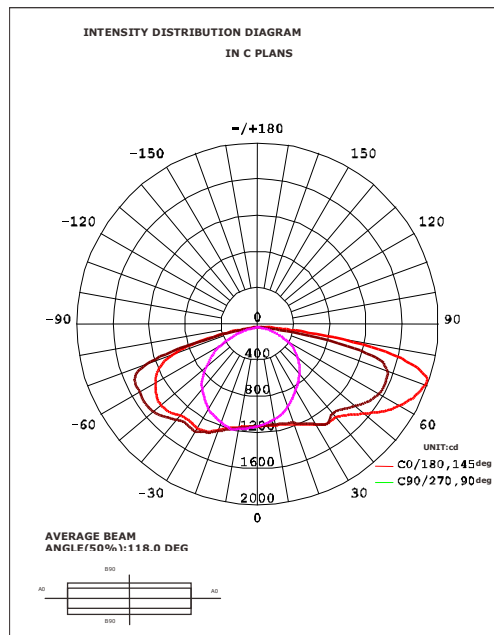
RoHS

LED SOLAR STREETLIGHTS  
PRODUCT SERIES DATASHEET



ILLUMINANCE DIAGRAM

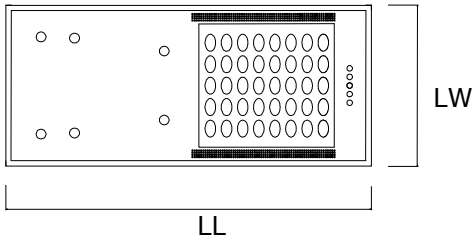
Luminous Intensity Distribution Diagram:



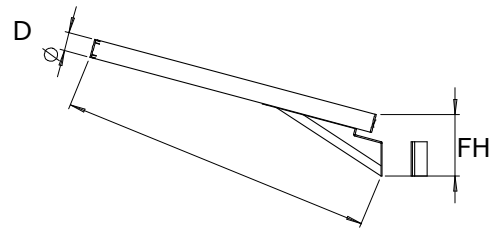
LED SOLAR STREETLIGHTS  
PRODUCT SERIES DATASHEET



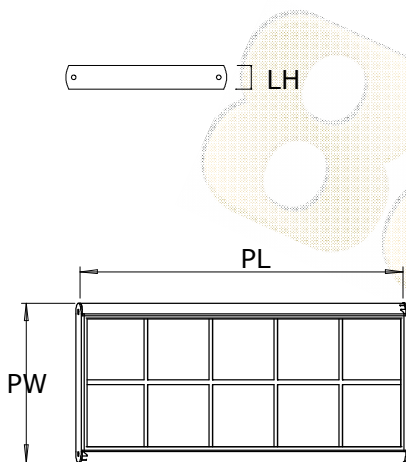
PRODUCT DIAGRAM



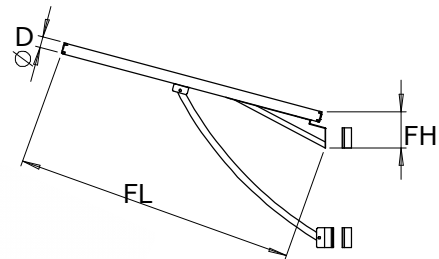
Light Source Panel



10-20W Light Source Fixture



Solar Panel



30-80W Light Source Fixture

DOCUMENT INSTRUCTION:	Integrated Solar Streetlight		
PRODUCT INSTRUCTION :	60W solar streetlight		
DOCUMENT VERSION :	88L-SL-1607A-SS		
COMPANY:	88LIGHT B.V.	AUDITING:	Suniry
ISSUE DATE:	2016-7-18	APPROVED:	PCE

Product Name	LW [mm]	LL [mm]	LH [mm]	PL [mm]	PW [mm]	D [mm]	FH [mm]	FL [mm]
88L-SL-10W-1010	327	490	145	520	327	44	145	740
88L-SL-15W-1010	327	740	145	690	327	44	145	740
88L-SL-20W-1010	327	880	145	830	327	44	145	880
88L-SL-30W-1010	327	1130	145	1080	327	44	145	1130
88L-SL-40W-1010	327	1260	145	1210	327	44	145	1260
88L-SL-50W-1010	453	1130	145	1050	510	44	145	1210
88L-SL-60W-1010	453	1210	145	1160	453	44	145	1210
88L-SL-80W-1010	565	1360	145	1310	565	44	145	1360

LED SOLAR STREETLIGHTS  
PRODUCT SERIES DATASHEET



TECHNICAL DATA

Electrical characteristics<sup>1, 2, 3:</sup>

Product Name	Solar Panel Voltage	Solar Panel Power	Battery Voltage	Battery Capacity	Charge Time	Full Power Last Time	Save Model Last Time	Dimmable
88L-SL-10W-1010	DC18V	17W	12V	6AHrs	6-8h	>8h	3-5days	Y
88L-SL-15W-1010	DC18V	26W	12V	10AHrs	6-8h	>8h	3-5days	Y
88L-SL-20W-1010	DC18V	35W	12V	14AHrs	6-8h	>8h	3-5days	Y
88L-SL-30W-1010	DC18V	45W	12V	20AHrs	6-8h	>8h	3-5days	Y
88L-SL-40W-1010	DC18V	53W	12V	26AHrs	6-8h	>8h	3-5days	Y
88L-SL-50W-1010	DC18V	70W	12V	34AHrs	6-8h	>8h	3-5days	Y
88L-SL-60W-1010	DC18V	80W	12V	40AHrs	6-8h	>8h	3-5days	Y
88L-SL-80W-1010	DC18V	110W	12V	56AHrs	6-8h	>8h	3-5days	Y

Note 1: Absolute ratings @ 25°C.

Note 2: Operating temperature -10~+75, Wind resistance Max36m/s, Altitude <5000M, Atmosphere Pressure 86-106KPa.

Note 3: lifespan for solar panel is about 25 years; lifespan for Lithium is about 5-8 years.

Optical Characteristics<sup>1, 4:</sup>

Product Name	Color	Color Temperature [°K]	Luminescence <sup>4</sup> [lm]	CRI (Ra)	Beam angle [°]
88L-SL-10W-1010-CW	Cold White	6000	1500	70	120
88L-SL-10W-1010-NW	Nature White	4000	1450	70	120
88L-SL-10W-1010-WW	Warm White	3000	1400	70	120
88L-SL-15W-1010-CW	Cold White	6000	2250	70	120
88L-SL-15W-1010-NW	Nature White	4000	2175	70	120
88L-SL-15W-1010-WW	Warm White	3000	2100	70	120
88L-SL-20W-1010-CW	Cold White	6000	3000	70	120
88L-SL-20W-1010-NW	Nature White	4000	2900	70	120
88L-SL-20W-1010-WW	Warm White	3000	2800	70	120
88L-SL-30W-1010-CW	Cold White	6000	4500	70	120
88L-SL-30W-1010-NW	Nature White	4000	4350	70	120
88L-SL-30W-1010-WW	Warm White	3000	4200	70	120

Note 1: Absolute ratings @ 25°C.

Note 4: Tolerance of measurement of luminous intensity±10%.

LED SOLAR STREETLIGHTS  
PRODUCT SERIES DATASHEET



TECHNICAL DATA

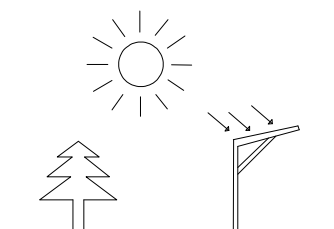
Optical Characteristics<sup>1, 4</sup>:

Product Name	Color	Color Temperature [°K]	Luminescence <sup>4</sup> [lm]	CRI (Ra)	Beam angle [°]
88L-SL-40W-1010-CW	Cold White	6000	6000	70	120
88L-SL-40W-1010-NW	Nature White	4000	5800	70	120
88L-SL-40W-1010-WW	Warm White	3000	5600	70	120
88L-SL-50W-1010-CW	Cold White	6000	7500	70	120
88L-SL-50W-1010-NW	Nature White	4000	7250	70	120
88L-SL-50W-1010-WW	Warm White	3000	7000	70	120
88L-SL-60W-1010-CW	Cold White	6000	9000	70	120
88L-SL-60W-1010-NW	Nature White	4000	8700	70	120
88L-SL-60W-1010-WW	Warm White	3000	8400	70	120
88L-SL-80W-1010-CW	Cold White	6000	12000	70	120
88L-SL-80W-1010-NW	Nature White	4000	11600	70	120
88L-SL-80W-1010-WW	Warm White	3000	11200	70	120

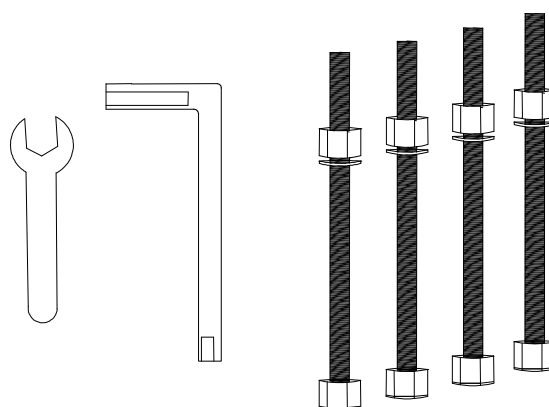
PRODUCT INSTALLATION:

Precaution: Switch off power before doing any works.

Step 1: choose a good place for daylight and arrange poles. Recommend 6-8M height, diameter is 30-100MM, thickness more than 2.00mm, Iron or stainless steel poles



Step 2: check the accessories are complete as below: MB socket head cap screw, MB socket head cap screw and tools.

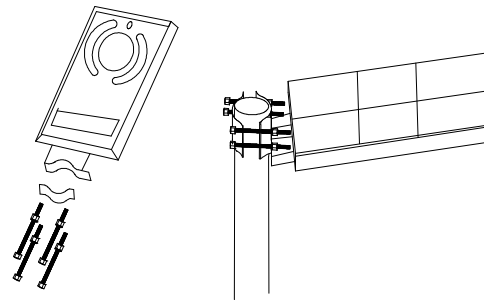
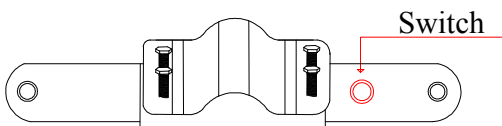


PRODUCT INSTALLATION:

Precaution: Switch off power before doing any works.

Step 3: turn off switch before installation

Step 4: Fix the all in one solar led street lights and the poles, tighten the screws with specialized tools and make sure the installation firm



**Mode Instruction**

1. Full power with PIR sensor: When motion detected 100% power work and delay time is about 30 seconds, when no motion detected, 30% power work, average work last time is about 25 hours (3 days, 8 hours for each day).
2. Timer adjust with PIR sensor: each day for first 4 hour, when motion detected 100% power work, if no motion detected 30% power, then the rest time till to sunrise, when motion detected 50% power work, if no motion detected, it keep 50%x30% power work, average work last time is about 35 hours (4 days, 8 hours for each day).
3. Smart mode with PIR sensor (Save mode): when there is motion detected, it will adjust the working power as below according to the battery.

Motion detected

Battery: 14.6V (Initial) - 13.4V, save mode start.

- > 13.4V - 13.2V (Battery), 90% power
- > 13.2V - 13.0V (Battery), 80% power
- > 13.0V - 12.8V (Battery), 70% power
- > 12.8V - 12.6V (Battery), 60% power
- > 12.6V - 12.4V (Battery), 50% power

No motion detected

- 30% power
- 90%x30% power
- 80%x30% power
- 70%x30% power
- 60%x30% power
- 50%x30% power

Average work last time is about 30 hours.

4. Full power work last ability is >8 hours.

LED SOLAR STREETLIGHTS  
PRODUCT SERIES DATASHEET



SAFETY

1. **Always** consult a qualified, licensed electrician prior to the installation of this product.
2. **Always** ensure that all components are joined properly before they are installed.
3. It is recommended that adequate airflow and heat sink be taken into account in the application and installation of this product. Improper thermal management may lead to premature failure.
4. If any doubt about the installation or use of this product, consult a competent electrician.
5. Exceeding the operating temperature values may damage LED chips by reducing the total lamp life and lumen output, and inversely impact color consistency.
6. Switch off power of the mains supply or respectively of the connection lead before doing any works.
7. Avoid voltage drops by using a dedicated line for each maximum power consumption line.
8. The manufacturer rates each power supply for maximum power output at optimum thermal and voltage conditions. As with any power supply, true actual maximum continuous current output depends upon various environmental factors such as ambient temperature, line voltage fluctuations, and orientation that may affect heat dissipation. For optimum performance, make sure the load is between 50% and 80% of the total capacity of the power supply.
9. LED products are continuously being improved upon in ever-shortening manufacturing cycles. LED color temperature (kelvin), lumen output, and product appearance can change from order to order. Please note that variation in color temperature (kelvin) is commonly +/- 250k and brightness (lumens) is +/- 10%.

PACKING<sup>5</sup>:

Product Name	Outer Carton Size(L×W×H)[mm]	Qty/Carton [pcs]	Gross Weight [Kg]	Unit Weight [Kg]
88L-SL-10W-1010	545×382×205	1	6.5	5.5
88L-SL-15W-1010	795×382×205	1	9.5	8
88L-SL-20W-1010	935×382×205	1	12	10.5
88L-SL-30W-1010	1185×382×205	1	16.5	15
88L-SL-40W-1010	1315×382×205	1	17	16.5
88L-SL-50W-1010	1185×508×205	1	19	18
88L-SL-60W-1010	1265×508×205	1	21	19
88L-SL-80W-1010	1415×620×205	1	28	25

Note 5: The default package information is only for reference.

LED SOLAR STREETLIGHTS  
PRODUCT SERIES DATASHEET



OTHER 88Light PRODUCTS:

---

For more information about 88Light products, or to use our online energy saving calculation software please visit our website

[www.88Light.com](http://www.88Light.com)

DISCLAIMER:

---

88Light reserves the right to modify the design of our products as part of the company's program of continuous improvement. 88Light cannot guarantee to match existing installed product for subsequent orders or replace the product exactly to match the product you are replacing in product appearance, color, or brightness. Specifications are subject to change without notice.